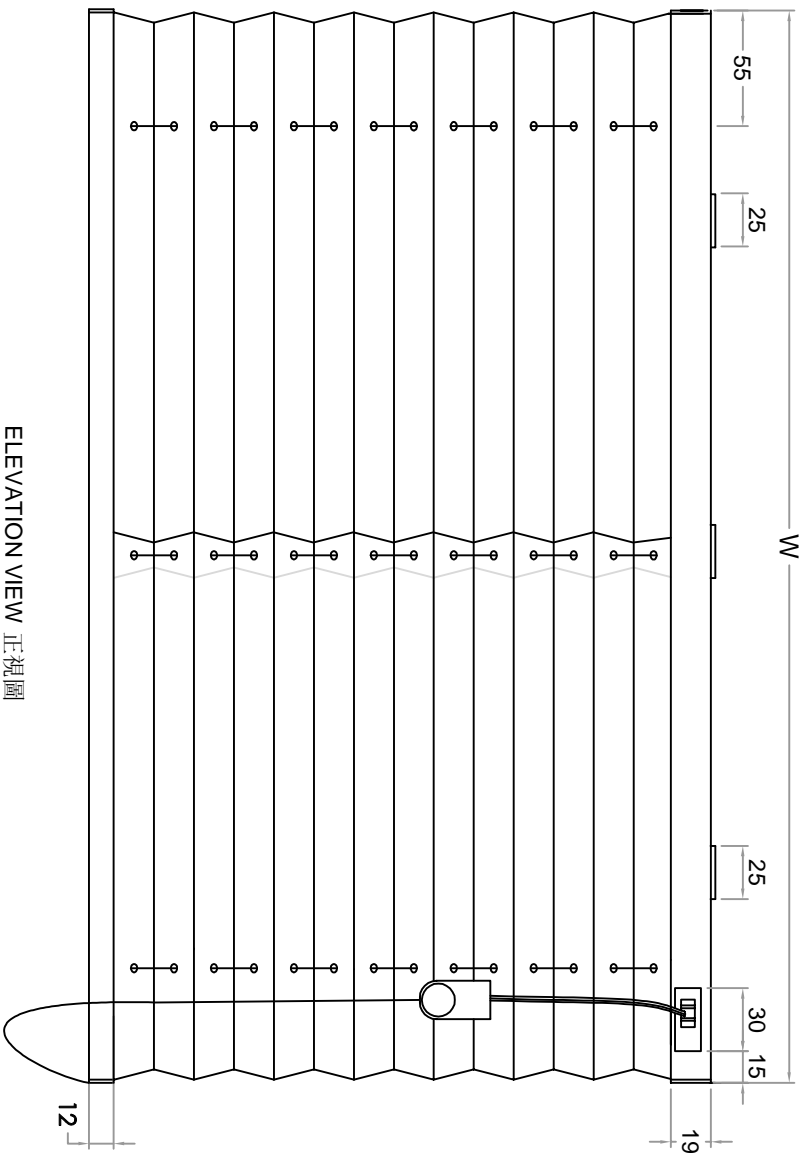


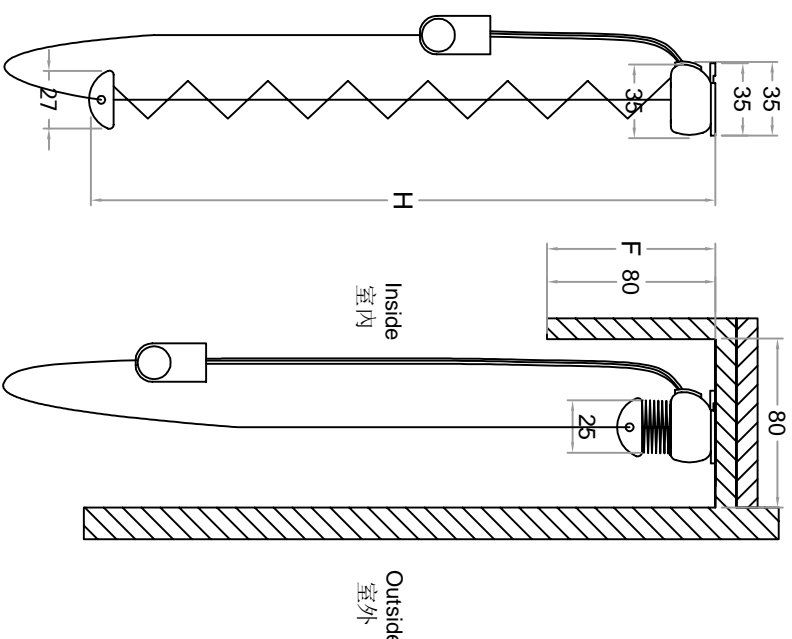
Parts	零件
1 End Cap Top Profile Left 7001 (Soft Grey)	灰頂蓋-左
2 Head Rail	頂槽
3 Push Bracket Conservatory Blind	碼仔
4 Cordlock Right Grey Heavy Duty	灰鎖制-右
5 Cord Connector Body (Soft Grey)	拉繩器
6 Pull Cord	灰色拉繩
7 Fabric	布料
8 End Cap Bottom Profile 7001 (Soft Grey)	灰底蓋
9 Plisse Cord	幼繩
10 Bottom Rail	底槽

Title: 富羅紗百摺簾  
Verosol Pleated Blind

SCALE :	NTS	DESIGNED BY :	GZENG	DATE :	30 December, 2009
JOB NO. :	NIL	DRAWN BY :	LJP	CAD FILE :	EDCH-4060.DWG
REVIEW & APPROVAL FOR SUBMISSION BY :	GZENG			DWG. No. :	EDCH-4060A

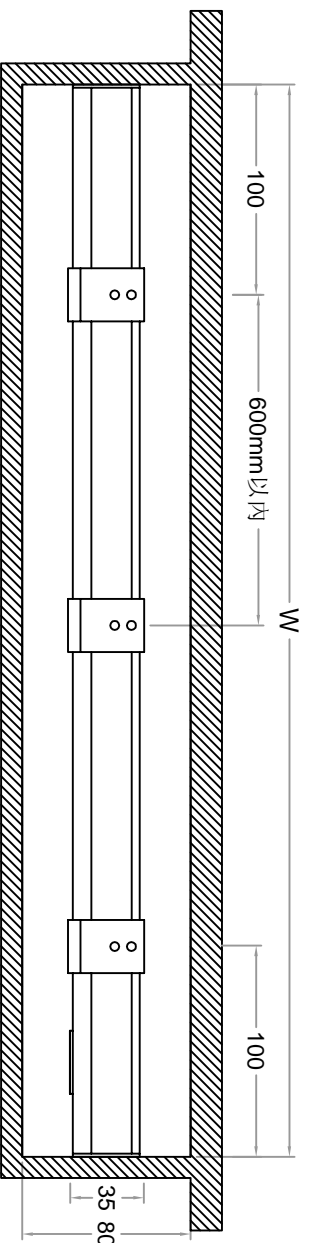


ELEVATION VIEW 正視圖



SECTION VIEW 側視圖

Limitation(產品限制)



PLAN VIEW 俯視圖

Width(mm) 寬度 (mm)	Minimum 最低	Maximum 最高	Maximum Area(m <sup>2</sup> ) 最大面積 (平方米)
200		3000	10.0
Height(mm) 高度 (mm)	200	3000	

W:Blind Width 簾寬度  
H:Blind Height 簾高度  
F:Folding Space 摺合高度

Note(注意):

建議窗簾盒使用2層15mm夾板或混凝土,不能直接安裝在石膏板  
Do not recommend installation on gypsum board directly, and  
suggested to install on double layer plywood (15mm each)  
or concrete ceiling

Title:  
富羅紗百摺簾  
Verosol Pleated Blind

SCALE :	NTS	DESIGNED BY :	GZENG	DATE :	30 December, 2009
JOB NO. :	NIL	DRAWN BY :	LJP	CAD FILE :	EDCH-4060.DWG
REVIEW & APPROVAL FOR SUBMISSION BY :	GZENG			DWG. No. :	EDCH-4060B